

ORTAC METAL CABLE GLANDS SERIES



METAL CABLE GLANDS STANDARD TYPE BRASS

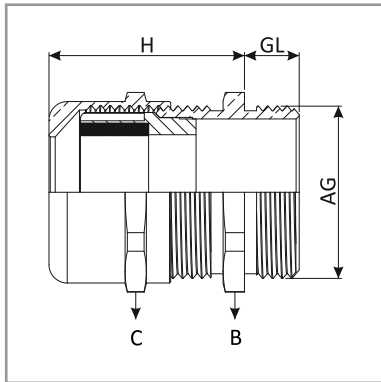
TECHNICAL DETAILS

Material

Cap nut	: Brass with nickel plated
Clamping insert	: Polyamide PA6 V2
Sealing ring	: TPV
Gland body	: Brass with nickel plated
O-ring	: NBR
Connection thread	: Metric (EN 60423)
Certificates	: UR,ROHS,CE
Protection class	: IP68 - 5 bar
Temperature range	: -20 °C +100 °C -40 °C +150 °C (short term)

Properties

Easy to assemble
Long thread versions
High strain relief



METRIC THREAD CABLE GLANDS

AG Thread	Code	H mm	GL mm	B mm	C mm	mm
M 12 x 1,5	OMBG 01	22	6	14	14	3 - 6,5
M 16 x 1,5	OMBG 02	23	7	18	17	4 - 8
M 20 x 1,5	OMBG 03RS	26,5	8	22	22	4 - 10
M 20 x 1,5	OMBG 03	26,5	8	22	22	6 - 12
M 25 x 1,5	OMBG 04	28	8	27	24	10 - 14
M 32 x 1,5	OMBG 05	31,5	9	34	30	13 - 18
M 40 x 1,5	OMBG 06	38	9	43	40	18 - 25
M 50 x 1,5	OMBG 07	43	9	55	50	22 - 32
M 63 x 1,5	OMBG 08	48	14	68	64	33 - 44

LONG THREAD METRIC CABLE GLANDS

M 12 x 1,5	OMBG 09	22	12	14	14	3 - 6,5
M 16 x 1,5	OMBG 10	23	12	18	17	4 - 8
M 20 x 1,5	OMBG 11RS	26,5	12	22	22	4 - 10
M 20 x 1,5	OMBG 11	26,5	12	22	22	6 - 12
M 25 x 1,5	OMBG 12	28	12	27	24	10 - 14
M 32 x 1,5	OMBG 13	31,5	14	34	30	13 - 18
M 40 x 1,5	OMBG 14	38	14	43	40	18 - 25
M 50 x 1,5	OMBG 15	43	14	55	50	22 - 32
M 63 x 1,5	OMBG 16	48	18	70	64	33 - 44

IP 68

Halogen free

PRODUCT RANGE OVERVIEW